

Kempower Satellite

The Kempower Satellite DC charging system is the optimal solution for public charging and other sites that need multiple fast charging outputs.

The Satellites are connected to the Power Unit or Station Charger. One Power Unit can simultaneously provide energy for up to 8 DC charging outputs with 800 VDC systems and up to 6 outputs with Adaptive Voltage systems covering both 400 and 800 VDC charging.

The maximum available charging power of the system is 600 kW, depending on the Power Unit version. Each output can deliver 280 kW to the charging Satellite.

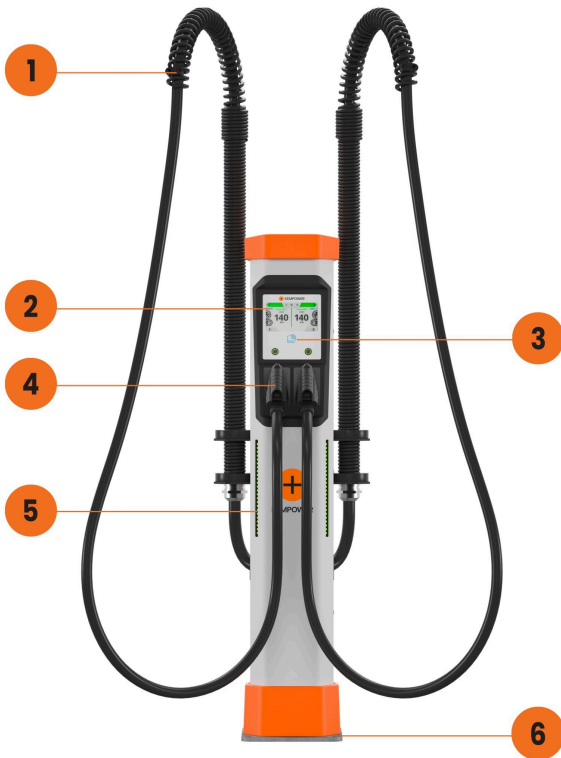


Maximum charging power

Up to **280 kW**

Number of Satellites in the system

1-8



- 1 Charging cable support system
- 2 7" touch screen display
- 3 RFID reader (ISO 14443A)
- 4 Vehicle connectors
- 5 Charging status indication LEDs
- 6 Mounting flange



Advanced cable support system for premium user experience



Easy-to-use, intuitive user menu on a 7" touch screen display



On-screen QR code for following the charging status on your mobile phone



Kempower advanced charging Satellite system with up to 8 simultaneous charging outputs



Cabling distance between the Power Unit and Satellites up to 262 feet



Advanced charging control and customization with Kempower ChargeEye

Product code interpretation

S•UD•7•EB•P•L•C0

Kempower Satellite • CCS1 and CHAdeMO connectors • 23 ft. charging cable • 125 A cable current for CHAdeMO and 300 A for CCS1 • Payter P68 payment terminal • ETL certification • unbranded

Item	Code	Description
Product type	S	Kempower Satellite
Vehicle connector type	U	CCS1
	UU	2 x CCS1
	UD	CCS1 & CHAdeMO
	D	CHAdeMO
Charging cable length	5	16.4 ft.
	7	23 ft.
Nominal charging cable current	B	125 A (CHAdeMO)
	C	200 A (CCS1)
	E	300 A* (CCS1)
User interface and payment	S	Standard user interface
	P	Payter P68 payment terminal with contactless, chip reader, and magnetic stripe (no PIN pad)
Certification	L	ETL-approved product
Branding options	C0	Unbranded: roof and base in black color, no stickers
	Cn	Branded: number (n) indicates branding, e.g. C8

* 350 A (rated) in +77 °F. Requires 2 output terminals from Power Unit.

General electrical specifications

DC charging connector options	CCS1 IEC 62196-3, SAE J1772, CHAdeMO
Voltage	Max. 1000 VDC
Standby power	25 W

Environmental specifications

Operating temperature	-22...122 °F
Derating	Charging cable pin temperature limits charging current. For other limiting variables, see the applicable Power Unit datasheet.
Storage temperature	-40...140 °F
Ambient air humidity	< 95% relative humidity
Enclosure rating	Suitable for outdoor use

Connections and protocols (via Power Unit or Station Charger)

WiFi	802.11 b/g/n (2.4/5 GHz)
Cellular/GPS	LTE-FDD, LTE-TDD, WCDMA, GSM
Ethernet	RJ45, IEEE 802.3/802.3u
OCPP	1.6j/2.0.1
Connectivity	Kempower ChargeEye solution

Electrical connections (between Satellite and Power Unit)

DC power cable per vehicle connector (terminals 2 x 3/0 AWG)
Control cable 24 VDC
Control bus cable

Electrical protections

Vehicle connector pin temperature monitoring for charging cable protection
--

Product codes

Product code	Charging outputs	Vehicle connector	Simul. charging with 2 outputs	Max. charging current	Charging power at 400 VDC	Charging power at 800 VDC	Weight
Product codes with 16.4 ft. charging cables							
S•U•5C•S•L	1	CCS1	N/A	200 A	80 kW	160 kW	146 lb.
S•U•5D•S•L	1	CCS1	N/A	250 A	100 kW	200kW	207 lb.
S•U•5E•S•L	1	CCS1	N/A	300 A/ 350 A*	120 kW/ 140 kW	240 kW/ 280 kW	218 lb.
S•UU•5C•S•L	2	2 x CCS1	Yes	2 x 200 A	2 x 80 kW	2 x 160 kW	218 lb.
S•UU•5D•S•L	2	2 x CCS1	Yes	2 x 250 A	2 x 100 kW	2 x 200 kW	340 lb.
S•UD•5CB•S•L	2	CCS1 & CHAdEMO	Yes	200 A & 125 A	80 kW & 50 kW	160 kW & 100 kW	212 lb.
S•UD•5DB•S•L	2	CCS1 & CHAdEMO	Yes	250 A & 125 A	100 kW & 50 kW	200 kW & 100 kW	273 lb.
S•UD•5EB•S•L	2	CCS1 & CHAdEMO	Yes	300 A/ 350 A* & 125 A	120 kW/ 140 kW & 50 kW	240 kW/ 280 kW & 100 kW	284 lb.

* 350 A (rated) in +77 °F. Requires 2 output terminals from Power Unit.

Note: Versions with 23 ft. charging cables: Change 5 to 7 in the product code, e.g. from SU5CSL to SU7CSL. Add 4.4 lb. to the weight.

Note: Versions with a payment terminal, change S to P in the latter part of the product code, e.g. from SU7CSL to SU7CPL

Compliance to standards

IEC 61851-1, IEC 61851-23, IEC 61851-21-2, IEC 62196-3

UL 2202, UL 2231-1, UL 2231-2

CSA Std. c22.2 No. 281.2, CSA Std. c22.2 No. 107.1

EMC Class A FCC Part 15

Options

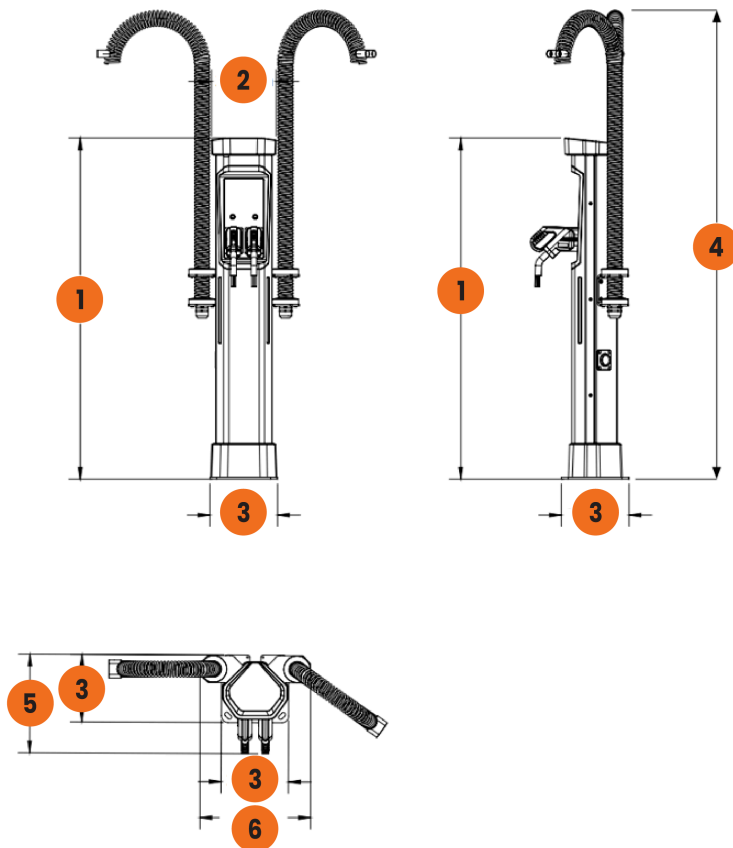
Payment terminal	Payter P68 payment terminal with contactless, chip reader, and magnetic stripe (no PIN pad)
Customized branding	Branding options, such as custom colors and stickers Contact Kempower for availability, pricing, and minimum order quantity

Mechanical dimensions

Size (W x H x D)

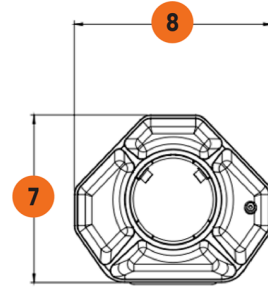
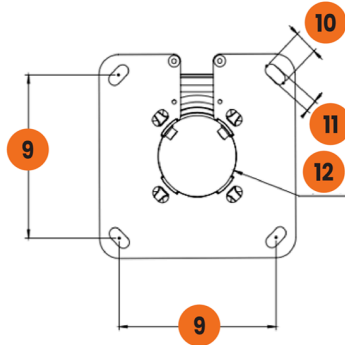
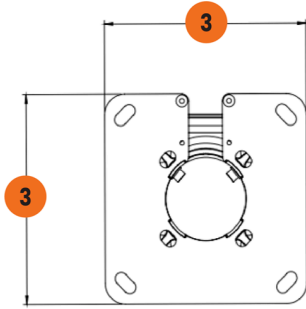
11.8 x 59.8 x 11.8 in.

Satellite with two DC charging outputs

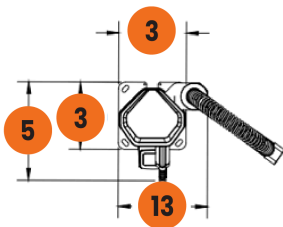
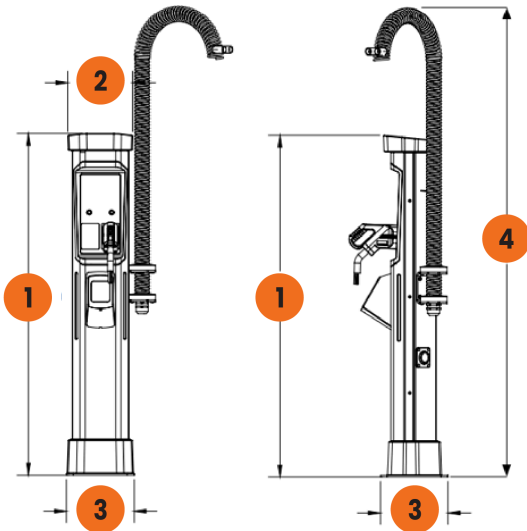


Footprint of standard installation flange

Footprint with mounting tube



Satellite with one DC charging output and payment terminal



1	59.8 in.	5	17.3 in.	9	9.4 in.	13	15.6 in.
2	11.4 in.	6	19.4 in.	10	1.4 in.		
3	11.8 in.	7	9.4 in.	11	0.7 in.		
4	82.7...94.5 in.	8	11.6 in.	12	4.7 in.		